


BMR REFERENCE 082653		O-I MANUFACTURING FRANCE REFERENCE	
		MAIN CHARACTERISTICS :	
		PUMP, SINGLE-STROKE, AIR-OPERATED	
<i>No contractual picture</i>			
INDUSTRY :	VERRERIE	UNITS	Pièce
MACHINE :		MINIMUM QUANTITY	1,00
UNIT PRICE IN EUROS WITHOUT VAT	1 600,00 €	Delivery FR :	25 days*
SUPPLIER :	BMR 931 Route de Saint-Chamas 13680 LANCON PROVENCE FRANCE	Tél. 04.42.55.31.67 Fax : 09.72.30.68.19	E-mail : info@bmr-france.fr Website : www.bmr-industry.com



BMR REFERENCE 0837491

O-I MANUFACTURING FRANCE REFERENCE CC0444



MAIN CHARACTERISTICS :

INJECTOR SL-44, 1-assy
Minimum de commande : 5

INYECTOR SL-44, 1-assy
Mínimo pedido de 5

No contractual picture

INDUSTRY :	VERRERIE	UNITS	Pièce
MACHINE :	Machines O-I / BSN	MINIMUM QUANTITY	1,00
UNIT PRICE IN EUROS WITHOUT VAT	195,71 €	Delivery FR :	23 days*
SUPPLIER :	BMR 931 Route de Saint-Chamas 13680 LANCON PROVENCE FRANCE	Tél. 04.42.55.31.67 Fax : 09.72.30.68.19	E-mail : info@bmr-france.fr Website : www.bmr-industry.com





Confidentiel

BMR Catalogue HYDRAULIQUE

BMR REFERENCE 0837495

O-I MANUFACTURING FRANCE REFERENCE



MAIN CHARACTERISTICS :

Injecteur SL-44,5-ASSY

Inyector SL-44,5-ASSY

No contractual picture

INDUSTRY :	VERRERIE	UNITS	Pièce
MACHINE :	Toutes machines de Verreries	MINIMUM QUANTITY	1,00
UNIT PRICE IN EUROS WITHOUT VAT	709,80 €	Delivery FR :	30 days*
SUPPLIER :	BMR 931 Route de Saint-Chamas 13680 LANCON PROVENCE FRANCE	Tél. 04.42.55.31.67 Fax : 09.72.30.68.19	E-mail : info@bmr-france.fr Website : www.bmr-industry.com



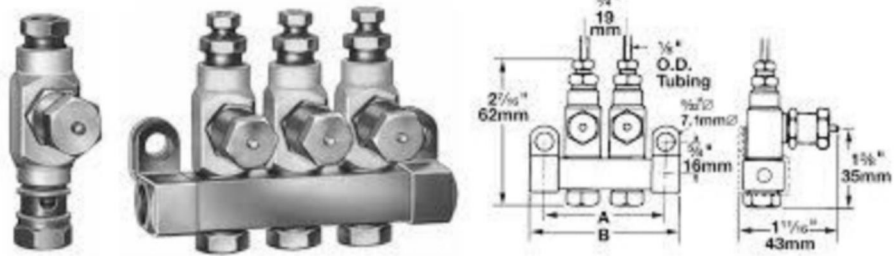
30/06/2016 00:00:00
updated version available on demand

O-I: GLASS IS LIFE™

*Estimated delivery time if product not available on stock

BMR REFERENCE 0844281

O-I MANUFACTURING FRANCE REFERENCE OIS43555



MAIN CHARACTERISTICS :

INJECTOR SL-42, 1-ASSY VITON
Minimum de commande : 5

INYECTOR SL-42, 1-ASSY VITÓN
Mínimo pedido de 5

No contractual picture

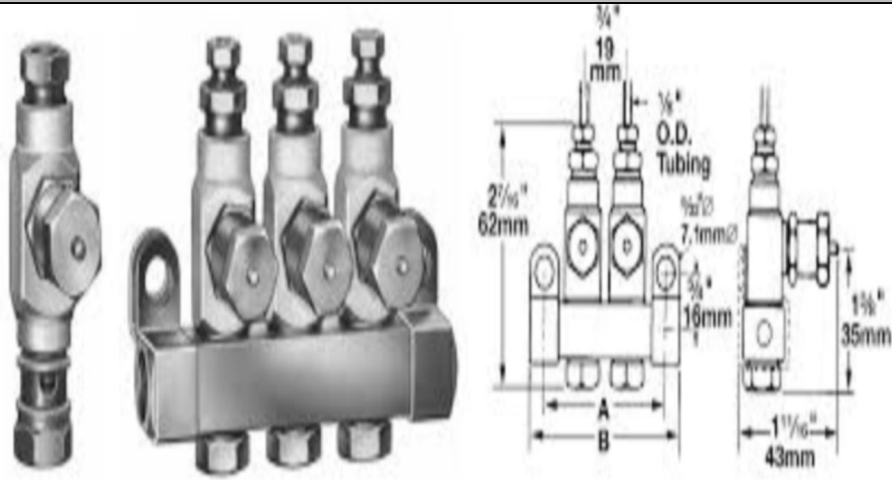
INDUSTRY :	VERRERIE	UNITS	Pièce
MACHINE :	Machines O-I / BSN	MINIMUM QUANTITY	1,00
UNIT PRICE IN EUROS WITHOUT VAT	72,99 €	Delivery FR :	23 days*
SUPPLIER :	BMR 931 Route de Saint-Chamas 13680 LANCON PROVENCE FRANCE	Tél. 04.42.55.31.67 Fax : 09.72.30.68.19	E-mail : info@bmr-france.fr Website : www.bmr-industry.com





BMR REFERENCE 08442810

O-I MANUFACTURING FRANCE REFERENCE OIS43558



MAIN CHARACTERISTICS :

INJECTOR SL-42, 10-ASSY VITON
Minimum de commande : 5

INYECTOR SL-42, 10-ASSY VITÓN
Mínimo pedido de 5

No contractual picture

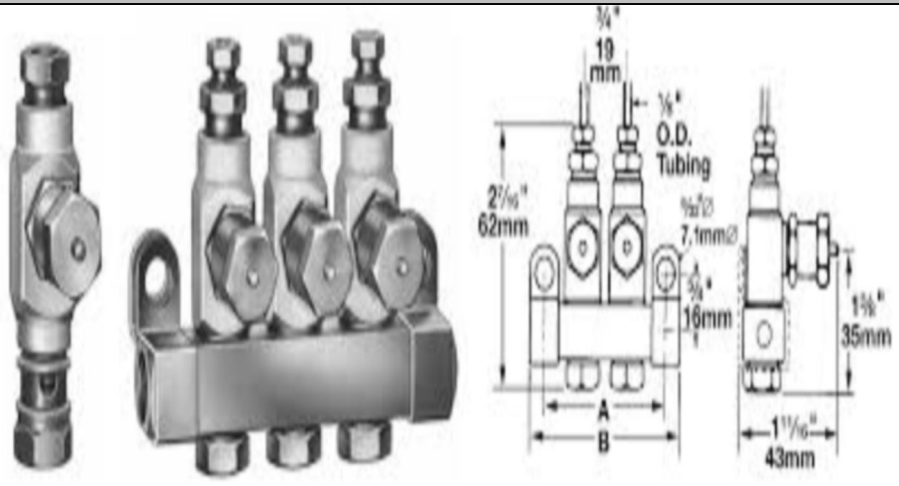
INDUSTRY :	VERRERIE	UNITS	Pièce
MACHINE :	Machines O-I / BSN	MINIMUM QUANTITY	1,00
UNIT PRICE IN EUROS WITHOUT VAT	432,86 €	Delivery FR :	23 days*
SUPPLIER :	BMR 931 Route de Saint-Chamas 13680 LANCON PROVENCE FRANCE	Tél. 04.42.55.31.67 Fax : 09.72.30.68.19	E-mail : info@bmr-france.fr Website : www.bmr-industry.com





BMR REFERENCE 08442815

O-I MANUFACTURING FRANCE REFERENCE OIS43559



MAIN CHARACTERISTICS :
 INJECTOR SL-42, 15-ASSY VITON
 Minimum de commande : 5
 INYECTOR SL-42, 15-ASSY VITÓN
 Mínimo pedido de 5

No contractual picture

INDUSTRY :	VERRERIE	UNITS	Pièce
MACHINE :	Machines O-I / BSN	MINIMUM QUANTITY	1,00
UNIT PRICE IN EUROS WITHOUT VAT	641,79 €	Delivery FR :	23 days*
SUPPLIER :	BMR 931 Route de Saint-Chamas 13680 LANCON PROVENCE FRANCE	Tél. 04.42.55.31.67 Fax : 09.72.30.68.19	E-mail : info@bmr-france.fr Website : www.bmr-industry.com



30/06/2016 00:00:00
 updated version available on demand

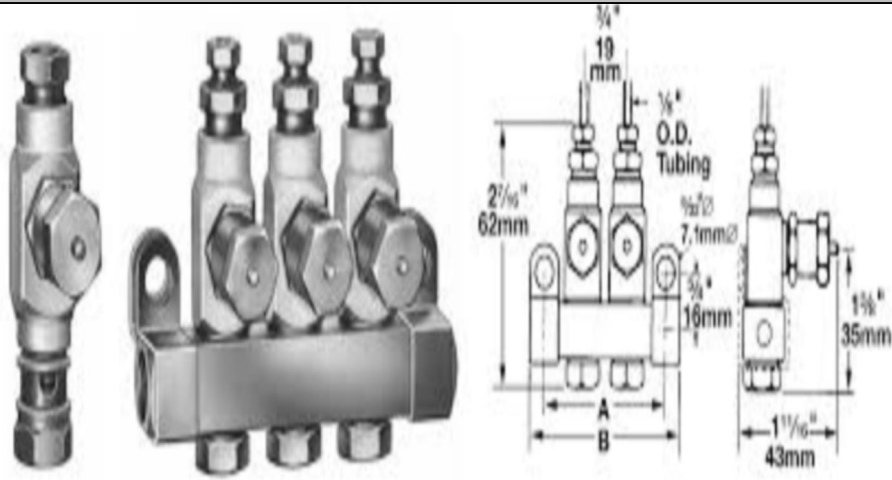


*Estimated delivery time if product not available on stock



BMR REFERENCE 0844282

O-I MANUFACTURING FRANCE REFERENCE OIS43556



MAIN CHARACTERISTICS :

INJECTOR SL-42, 2-ASSY VITON
Minimum de commande 5

INYECTOR SL-42, 2-ASSY VITÓN
Mínimo pedido de 5

No contractual picture

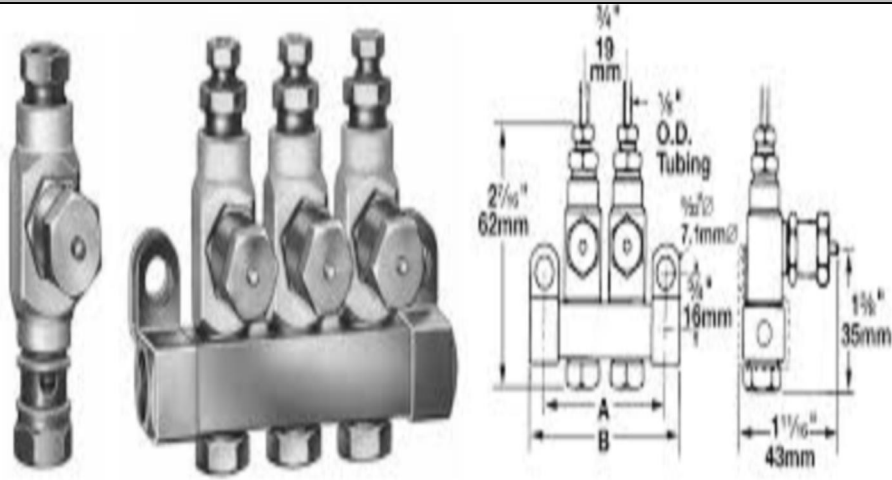
INDUSTRY :	VERRERIE	UNITS	Pièce
MACHINE :	Machines O-I / BSN	MINIMUM QUANTITY	1,00
UNIT PRICE IN EUROS WITHOUT VAT	118,63 €	Delivery FR :	23 days*
SUPPLIER :	BMR 931 Route de Saint-Chamas 13680 LANCON PROVENCE FRANCE	Tél. 04.42.55.31.67 Fax : 09.72.30.68.19	E-mail : info@bmr-france.fr Website : www.bmr-industry.com





BMR REFERENCE 0844283

O-I MANUFACTURING FRANCE REFERENCE OIS43557



MAIN CHARACTERISTICS :

INJECTOR SL-42, 3-ASSY VITON
Minimum commande : 5

INYECTOR SL-42, 3-ASSY VITÓN
Mínimo pedido de 5

No contractual picture

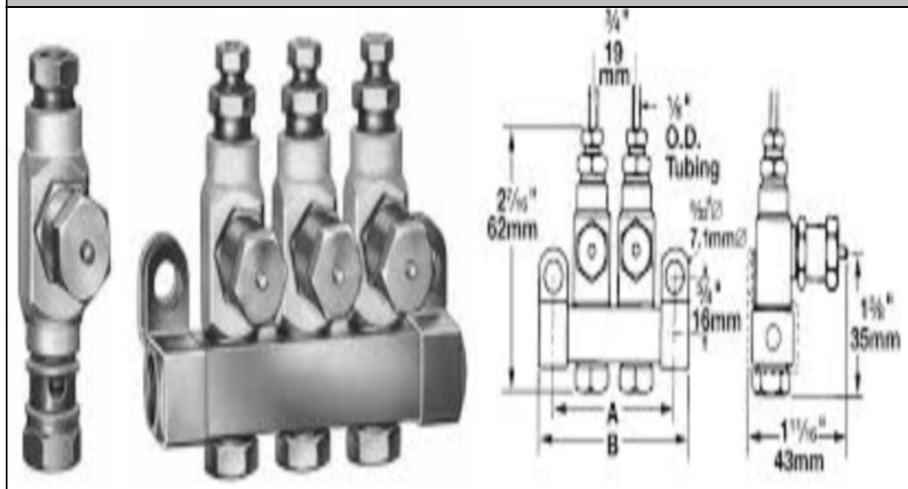
INDUSTRY :	VERRERIE	UNITS	Pièce
MACHINE :	Machines O-I / BSN	MINIMUM QUANTITY	1,00
UNIT PRICE IN EUROS WITHOUT VAT	167,50 €	Delivery FR :	23 days*
SUPPLIER :	BMR 931 Route de Saint-Chamas 13680 LANCON PROVENCE FRANCE	Tél. 04.42.55.31.67 Fax : 09.72.30.68.19	E-mail : info@bmr-france.fr Website : www.bmr-industry.com





BMR REFERENCE 0844284

O-I MANUFACTURING FRANCE REFERENCE OIS43485



MAIN CHARACTERISTICS :
 INJECTOR SL-42, 4-ASSY VITON
 Minimum commande : 5
 INYECTOR SL-42, 4-ASSY VITÓN
 Mínimo pedido de 5

No contractual picture

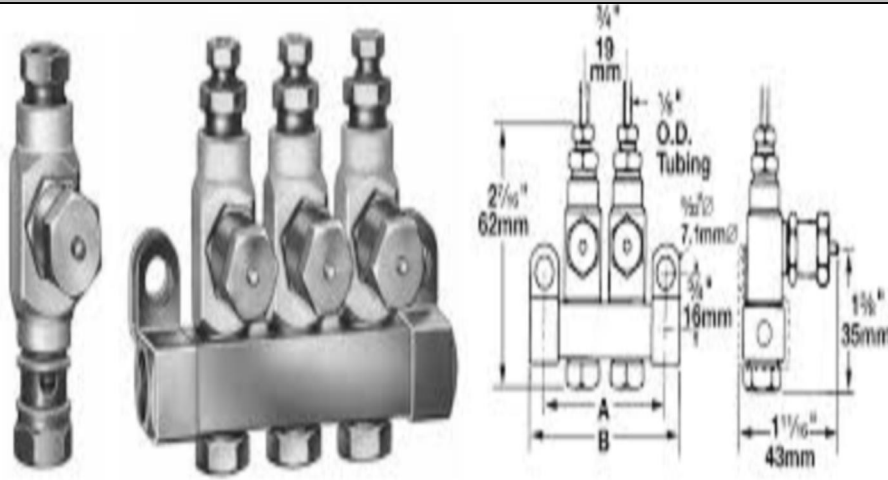
INDUSTRY :	VERRERIE	UNITS	Pièce
MACHINE :	Machines O-I / BSN	MINIMUM QUANTITY	1,00
UNIT PRICE IN EUROS WITHOUT VAT	203,13 €	Delivery FR :	23 days*
SUPPLIER :	BMR 931 Route de Saint-Chamas 13680 LANCON PROVENCE FRANCE	Tél. 04.42.55.31.67 Fax : 09.72.30.68.19	E-mail : info@bmr-france.fr Website : www.bmr-industry.com





BMR REFERENCE 0844285

O-I MANUFACTURING FRANCE REFERENCE OIS43181



MAIN CHARACTERISTICS :
 INJECTOR SL-42, 5-ASSY VITON
 Minimum de commande : 5
 INYECTOR SL-42, 5-ASSY VITÓN
 Mínimo pedido de 5

No contractual picture

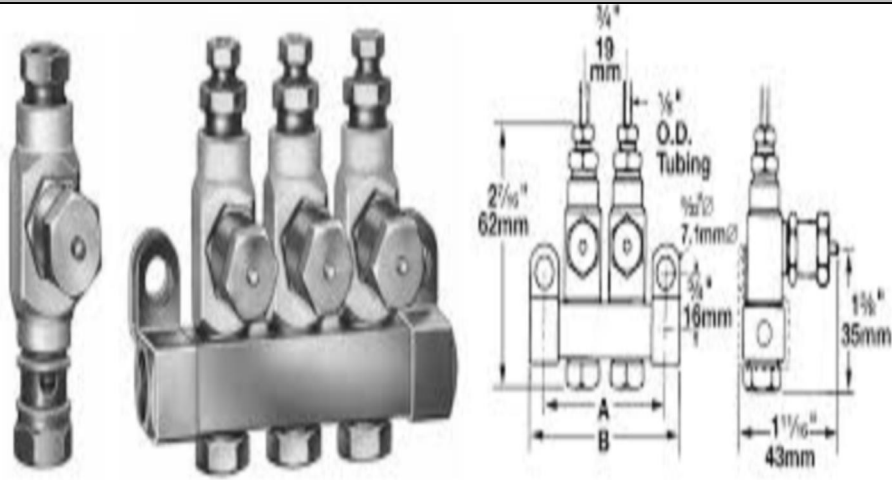
INDUSTRY :	VERRERIE	UNITS	Pièce
MACHINE :	Machines O-I / BSN	MINIMUM QUANTITY	1,00
UNIT PRICE IN EUROS WITHOUT VAT	249,56 €	Delivery FR :	23 days*
SUPPLIER :	BMR 931 Route de Saint-Chamas 13680 LANCON PROVENCE FRANCE	Tél. 04.42.55.31.67 Fax : 09.72.30.68.19	E-mail : info@bmr-france.fr Website : www.bmr-industry.com





BMR REFERENCE 0844286

O-I MANUFACTURING FRANCE REFERENCE



MAIN CHARACTERISTICS :

INJECTOR SL-42, 6-ASSY VITON
Minimum commande : 5

INYECTOR SL-42, 6-ASSY VITÓN
Mínimo pedido de 5

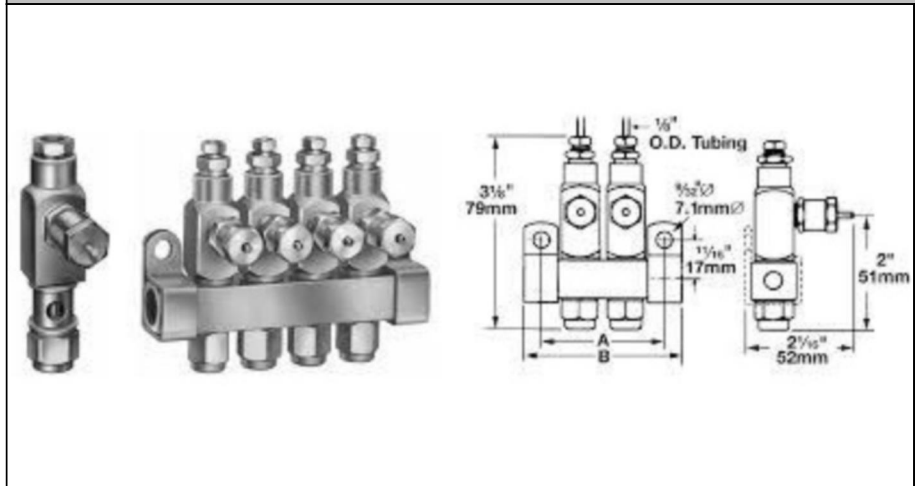
No contractual picture

INDUSTRY :	VERRERIE	UNITS	Pièce
MACHINE :	Machines O-I / BSN	MINIMUM QUANTITY	1,00
UNIT PRICE IN EUROS WITHOUT VAT	265,71 €	Delivery FR :	23 days*
SUPPLIER :	BMR 931 Route de Saint-Chamas 13680 LANCON PROVENCE FRANCE	Tél. 04.42.55.31.67 Fax : 09.72.30.68.19	E-mail : info@bmr-france.fr Website : www.bmr-industry.com



BMR REFERENCE 0844291

O-I MANUFACTURING FRANCE REFERENCE OIS43560



MAIN CHARACTERISTICS :

INJECTOR SL-43, 1-ASSY VITON
Minimum de commande : 5

INYECTOR SL-43, 1-ASSY VITÓN
Mínimo pedido de 5

No contractual picture

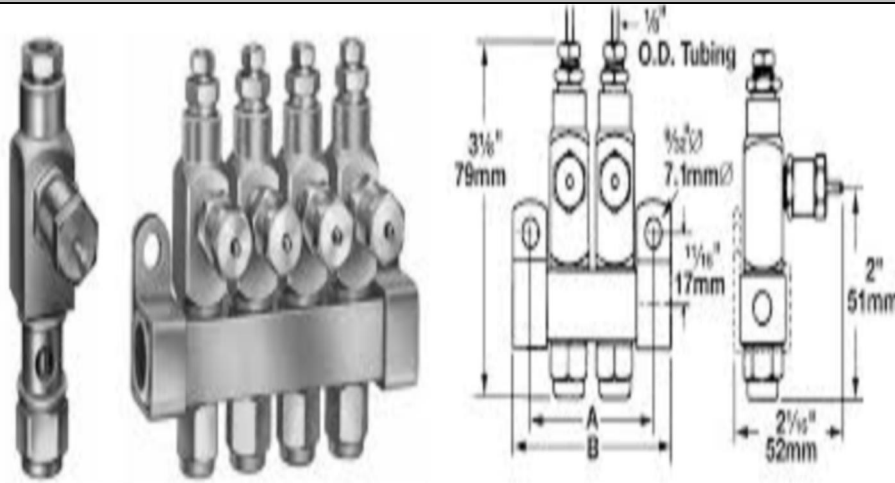
INDUSTRY :	VERRERIE	UNITS	Pièce
MACHINE :	Machines O-I / BSN	MINIMUM QUANTITY	1,00
UNIT PRICE IN EUROS WITHOUT VAT	89,26 €	Delivery FR :	23 days*
SUPPLIER :	BMR 931 Route de Saint-Chamas 13680 LANCON PROVENCE FRANCE	Tél. 04.42.55.31.67 Fax : 09.72.30.68.19	E-mail : info@bmr-france.fr Website : www.bmr-industry.com





BMR REFERENCE 0844292

O-I MANUFACTURING FRANCE REFERENCE OIS43486



MAIN CHARACTERISTICS :
 INJECTOR SL-43, 2-ASSY VITON
 Minimum de commande : 5
 INYECTOR SL-43, 2-ASSY VITÓN
 Mínimo pedido de 5

No contractual picture

INDUSTRY :	VERRERIE	UNITS	Pièce
MACHINE :	Machines O-I / BSN	MINIMUM QUANTITY	1,00
UNIT PRICE IN EUROS WITHOUT VAT	136,26 €	Delivery FR :	23 days*
SUPPLIER :	BMR 931 Route de Saint-Chamas 13680 LANCON PROVENCE FRANCE	Tél. 04.42.55.31.67 Fax : 09.72.30.68.19	E-mail : info@bmr-france.fr Website : www.bmr-industry.com



30/06/2016 00:00:00
 updated version available on demand

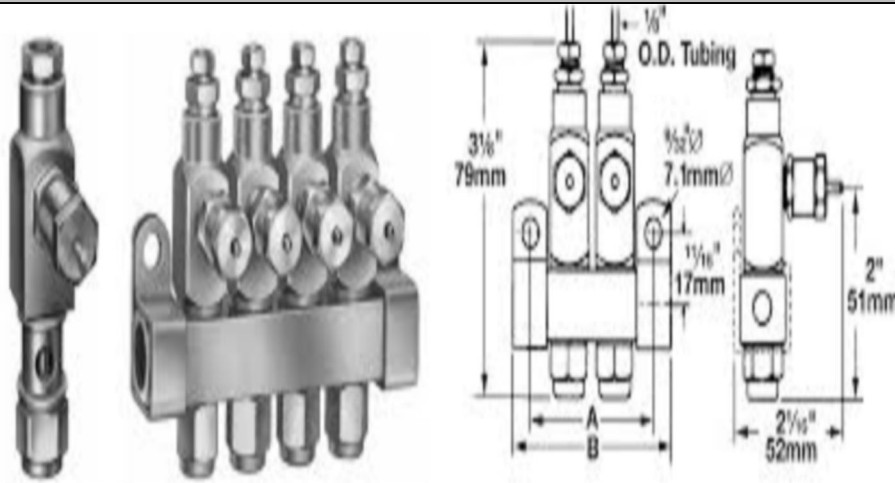


*Estimated delivery time if product not available on stock



BMR REFERENCE 0844294

O-I MANUFACTURING FRANCE REFERENCE OIS43328



MAIN CHARACTERISTICS :
 INJECTOR SL-43, 4-ASSY VITON
 Minimum de commande : 5
 INYECTOR SL-43, 4-ASSY VITÓN
 Mínimo pedido de 5

No contractual picture

INDUSTRY :	VERRERIE	UNITS	Pièce
MACHINE :	Machines O-I / BSN	MINIMUM QUANTITY	1,00
UNIT PRICE IN EUROS WITHOUT VAT	231,26 €	Delivery FR :	23 days*
SUPPLIER :	BMR 931 Route de Saint-Chamas 13680 LANCON PROVENCE FRANCE	Tél. 04.42.55.31.67 Fax : 09.72.30.68.19	E-mail : info@bmr-france.fr Website : www.bmr-industry.com



30/06/2016 00:00:00
 updated version available on demand



*Estimated delivery time if product not available on stock



Confidentiel

BMR Catalogue HYDRAULIQUE

BMR REFERENCE 247952

O-I MANUFACTURING FRANCE REFERENCE

MAIN CHARACTERISTICS :

Upgrade Kit F.injector SL43
Minimum de commande : 5

Mejoramiento Kit F inyector SL43
Mínimo pedido de 5

No contractual picture

INDUSTRY :	VERRERIE	UNITS	Pièce
MACHINE :	Machines O-I / BSN	MINIMUM QUANTITY	1,00
UNIT PRICE IN EUROS WITHOUT VAT	21,76 €	Delivery FR :	23 days*
SUPPLIER :	BMR 931 Route de Saint-Chamas 13680 LANCON PROVENCE FRANCE	Tél. 04.42.55.31.67 Fax : 09.72.30.68.19	E-mail : info@bmr-france.fr Website : www.bmr-industry.com



30/06/2016 00:00:00
updated version available on demand

O-I: GLASS IS LIFE™

*Estimated delivery time if product not available on stock



Confidentiel

BMR Catalogue HYDRAULIQUE

BMR REFERENCE 247956

O-I MANUFACTURING FRANCE REFERENCE

MAIN CHARACTERISTICS :

Upgrade Kit F.injector SL42HR
Minimum de commande : 5

Mejoramiento Kit F inyector SL42HR
Mínimo pedido de 5

No contractual picture

INDUSTRY :	VERRERIE	UNITS	Pièce
MACHINE :	Machines O-I / BSN	MINIMUM QUANTITY	1,00
UNIT PRICE IN EUROS WITHOUT VAT	17,87 €	Delivery FR :	23 days*
SUPPLIER :	BMR 931 Route de Saint-Chamas 13680 LANCON PROVENCE FRANCE	Tél. 04.42.55.31.67 Fax : 09.72.30.68.19	E-mail : info@bmr-france.fr Website : www.bmr-industry.com



30/06/2016 00:00:00
updated version available on demand

O-I: GLASS IS LIFE™

*Estimated delivery time if product not available on stock



Confidentiel

BMR Catalogue HYDRAULIQUE

BMR REFERENCE 250159

O-I MANUFACTURING FRANCE REFERENCE

MAIN CHARACTERISTICS :

Kit pour injecteur SL-44
Minimum de commande : 5

Kit para inyector SL-44
Mínimo pedido de 5

No contractual picture

INDUSTRY :	VERRERIE	UNITS	Pièce
MACHINE :	Machines O-I / BSN	MINIMUM QUANTITY	1,00
UNIT PRICE IN EUROS WITHOUT VAT	64,43 €	Delivery FR :	23 days*
SUPPLIER :	BMR 931 Route de Saint-Chamas 13680 LANCON PROVENCE FRANCE	Tél. 04.42.55.31.67 Fax : 09.72.30.68.19	E-mail : info@bmr-france.fr Website : www.bmr-industry.com



30/06/2016 00:00:00
updated version available on demand

O-I: GLASS IS LIFE™

*Estimated delivery time if product not available on stock



Confidentiel

BMR Catalogue HYDRAULIQUE

BMR REFERENCE 639407551

O-I MANUFACTURING FRANCE REFERENCE

MAIN CHARACTERISTICS :

Bloc injecteur équivalent EMHART 59-11080
MET.DEV.EVD-FL-L2-KD 0.65REP
Minimum de commande : 5

Bloque inyector equivalente EMHART 59-11080
MET.DEV.EVD-FL-L2-KD 0.65REP
Mínimo pedido de 5

No contractual picture

INDUSTRY :	VERRERIE	UNITS	Pièce
MACHINE :	Machines EMHART	MINIMUM QUANTITY	1,00
UNIT PRICE IN EUROS WITHOUT VAT	437,24 €	Delivery FR :	75 days*
SUPPLIER :	BMR 931 Route de Saint-Chamas 13680 LANCON PROVENCE FRANCE	Tél. 04.42.55.31.67 Fax : 09.72.30.68.19	E-mail : info@bmr-france.fr Website : www.bmr-industry.com



30/06/2016 00:00:00
updated version available on demand

O-I: GLASS IS LIFE™

*Estimated delivery time if product not available on stock



Confidentiel

BMR Catalogue HYDRAULIQUE

BMR REFERENCE 639407551

O-I MANUFACTURING FRANCE REFERENCE

MAIN CHARACTERISTICS :

Bloc injecteur équivalent EMHART 59-11080
MET.DEV.EVD-FL-L2-KD 0.65REP
Minimum de commande : 5

Bloque inyector equivalente EMHART 59-11080
MET.DEV.EVD-FL-L2-KD 0.65REP
Mínimo pedido de 5

No contractual picture

INDUSTRY :	VERRERIE	UNITS	Pièce
MACHINE :	Machines EMHART	MINIMUM QUANTITY	1,00
UNIT PRICE IN EUROS WITHOUT VAT	437,24 €	Delivery FR :	60 days*
SUPPLIER :	BMR 931 Route de Saint-Chamas 13680 LANCON PROVENCE FRANCE	Tél. 04.42.55.31.67 Fax : 09.72.30.68.19	E-mail : info@bmr-france.fr Website : www.bmr-industry.com



30/06/2016 00:00:00
updated version available on demand

O-I: GLASS IS LIFE™

*Estimated delivery time if product not available on stock



Confidentiel

BMR Catalogue HYDRAULIQUE

BMR REFERENCE 639407561

O-I MANUFACTURING FRANCE REFERENCE

MAIN CHARACTERISTICS :

Bloc injecteur équivalent EMHART 59-11081
MET.DEV.EVD-FL-S2-KD 0.05 REP
Minimum de commande : 5

Bloque inyector equivalente EMHART 59-11081
MET.DEV.EVD-FL-S2-KD 0.05 REP
Mínimo pedido de 5

No contractual picture

INDUSTRY :	VERRERIE	UNITS	Pièce
MACHINE :	Machines EMHART	MINIMUM QUANTITY	1,00
UNIT PRICE IN EUROS WITHOUT VAT	302,46 €	Delivery FR :	56 days*
SUPPLIER :	BMR 931 Route de Saint-Chamas 13680 LANCON PROVENCE FRANCE	Tél. 04.42.55.31.67 Fax : 09.72.30.68.19	E-mail : info@bmr-france.fr Website : www.bmr-industry.com



30/06/2016 00:00:00
updated version available on demand

O-I: GLASS IS LIFE™

*Estimated delivery time if product not available on stock

BMR REFERENCE SL42

O-I MANUFACTURING FRANCE REFERENCE



MAIN CHARACTERISTICS :

Injecteur à l'huile Lincoln SL42

Inyector al aceite Lincoln SL42

No contractual picture

INDUSTRY :	VERRERIE	UNITS	Pièce
MACHINE :	Machines O-I / BSN	MINIMUM QUANTITY	1,00
UNIT PRICE IN EUROS WITHOUT VAT	116,54 €	Delivery FR :	40 days*
SUPPLIER :	BMR 931 Route de Saint-Chamas 13680 LANCON PROVENCE FRANCE	Tél. 04.42.55.31.67 Fax : 09.72.30.68.19	E-mail : info@bmr-france.fr Website : www.bmr-industry.com





Confidentiel

BMR Catalogue HYDRAULIQUE

BMR REFERENCE SL44

O-I MANUFACTURING FRANCE REFERENCE



MAIN CHARACTERISTICS :

Injecteur Lincoln SL-44

Inyecteur Lincoln SL-44

No contractual picture

INDUSTRY :	VERRERIE	UNITS	Pièce
MACHINE :	Machines O-I / BSN	MINIMUM QUANTITY	1,00
UNIT PRICE IN EUROS WITHOUT VAT	325,26 €	Delivery FR :	40 days*
SUPPLIER :	BMR 931 Route de Saint-Chamas 13680 LANCON PROVENCE FRANCE	Tél. 04.42.55.31.67 Fax : 09.72.30.68.19	E-mail : info@bmr-france.fr Website : www.bmr-industry.com



30/06/2016 00:00:00
updated version available on demand

O-I: GLASS IS LIFE™

*Estimated delivery time if product not available on stock



Confidentiel

BMR Catalogue HYDRAULIQUE

BMR REFERENCE SUS-P-050-B06F-067-125-0

O-I MANUFACTURING FRANCE REFERENCE

MAIN CHARACTERISTICS :

Crépine STAUFF SUS-P-050-B06F-067-125-0

Filtro STAUFF SUS-P-050-B06F-067-125-0

No contractual picture

INDUSTRY :	VERRERIE	UNITS	Pièce
MACHINE :		MINIMUM QUANTITY	1,00
UNIT PRICE IN EUROS WITHOUT VAT	28,35 €	Delivery FR :	10 days*
SUPPLIER :	BMR 931 Route de Saint-Chamas 13680 LANCON PROVENCE FRANCE	Tél. 04.42.55.31.67 Fax : 09.72.30.68.19	E-mail : info@bmr-france.fr Website : www.bmr-industry.com



30/06/2016 00:00:00
updated version available on demand

O-I: GLASS IS LIFE™

*Estimated delivery time if product not available on stock



Confidentiel

BMR Catalogue HYDRAULIQUE

BMR REFERENCE SUS-P-050-B06F-067-125-0

O-I MANUFACTURING FRANCE REFERENCE

MAIN CHARACTERISTICS :

Crépine STAUFF SUS-P-050-B06F-067-125-0

Filtro STAUFF SUS-P-050-B06F-067-125-0

No contractual picture

INDUSTRY :	VERRERIE	UNITS	Pièce
MACHINE :		MINIMUM QUANTITY	1,00
UNIT PRICE IN EUROS WITHOUT VAT	28,35 €	Delivery FR :	21 days*
SUPPLIER :	BMR 931 Route de Saint-Chamas 13680 LANCON PROVENCE FRANCE	Tél. 04.42.55.31.67 Fax : 09.72.30.68.19	E-mail : info@bmr-france.fr Website : www.bmr-industry.com



30/06/2016 00:00:00
updated version available on demand

O-I: GLASS IS LIFE™

*Estimated delivery time if product not available on stock