

UM

RINSER GRIPPER

FOR MACHINES BRANDED SIDEL*



Our partners :







Covirep Sa



*UM is not a license of Sidel nor have UM parts been approved or authorized by Sidel.

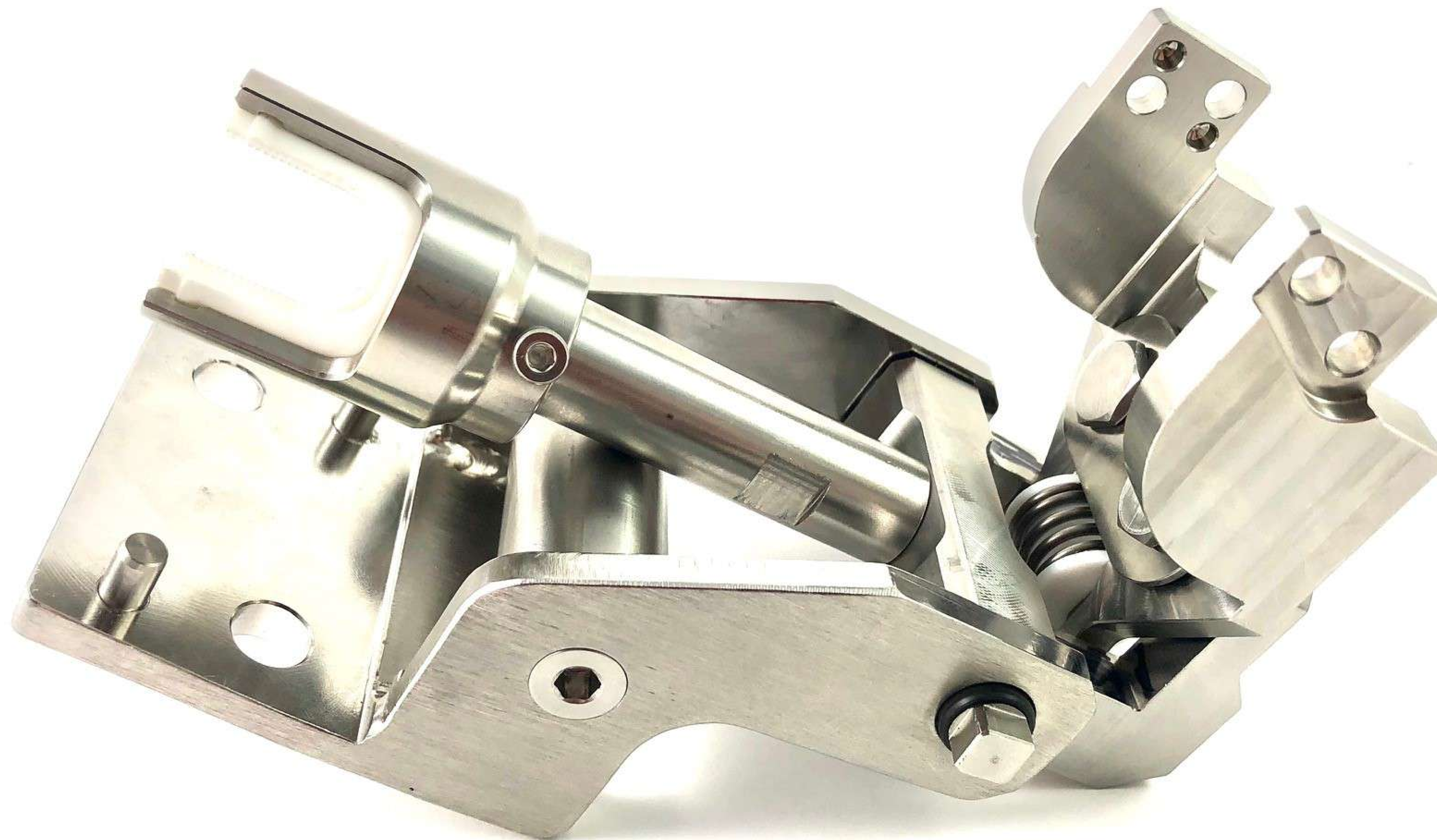
SECTIONS

Click on this logo for more information 

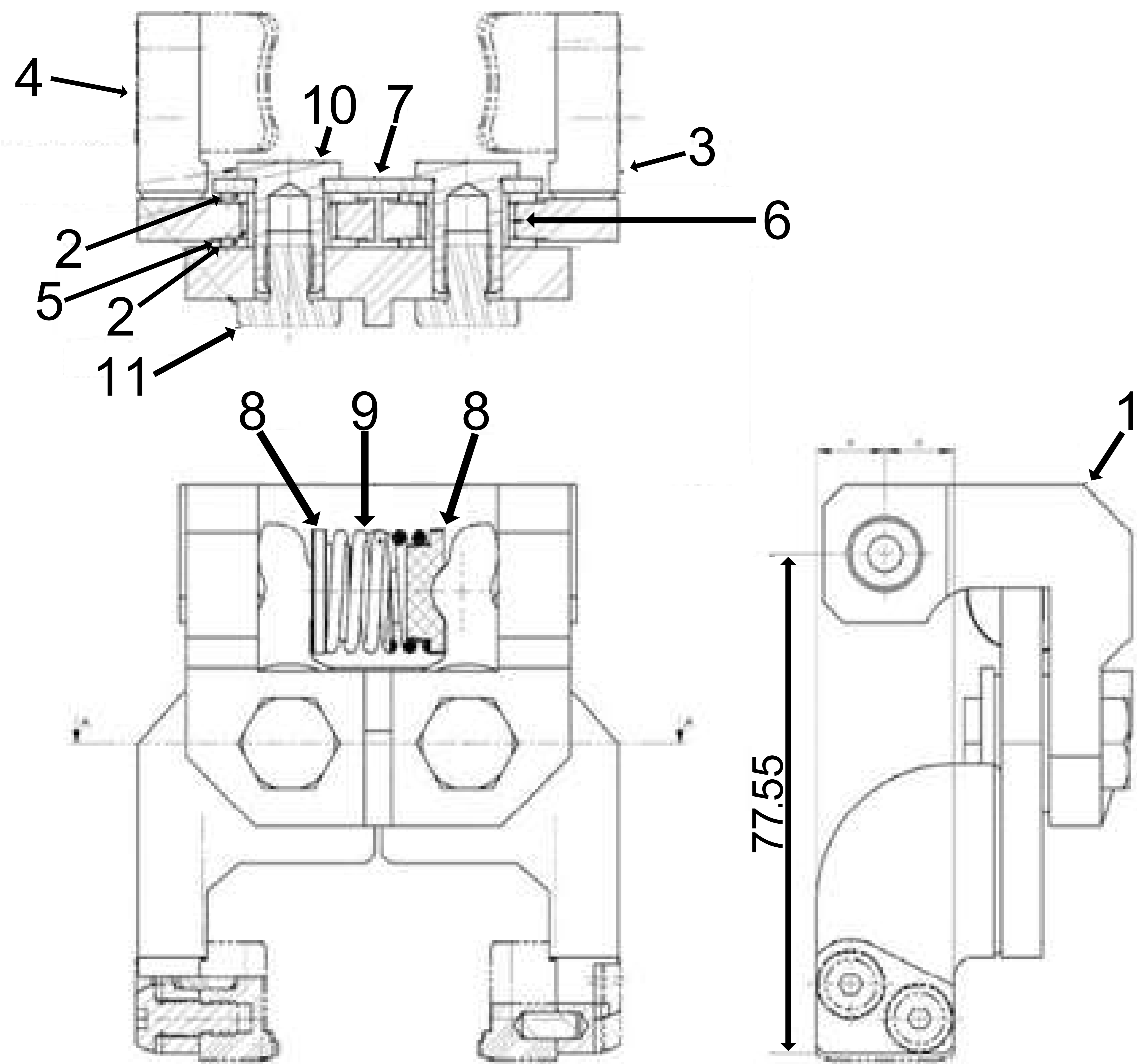
 Rinser gripper for machines branded Sidel*	2
 Hooding clamp movable	3
 Hooding clamp assembly	4
 Hot fork set	5

RINSER GRIPPER

FOR MACHINES BRANDED SIDEL*



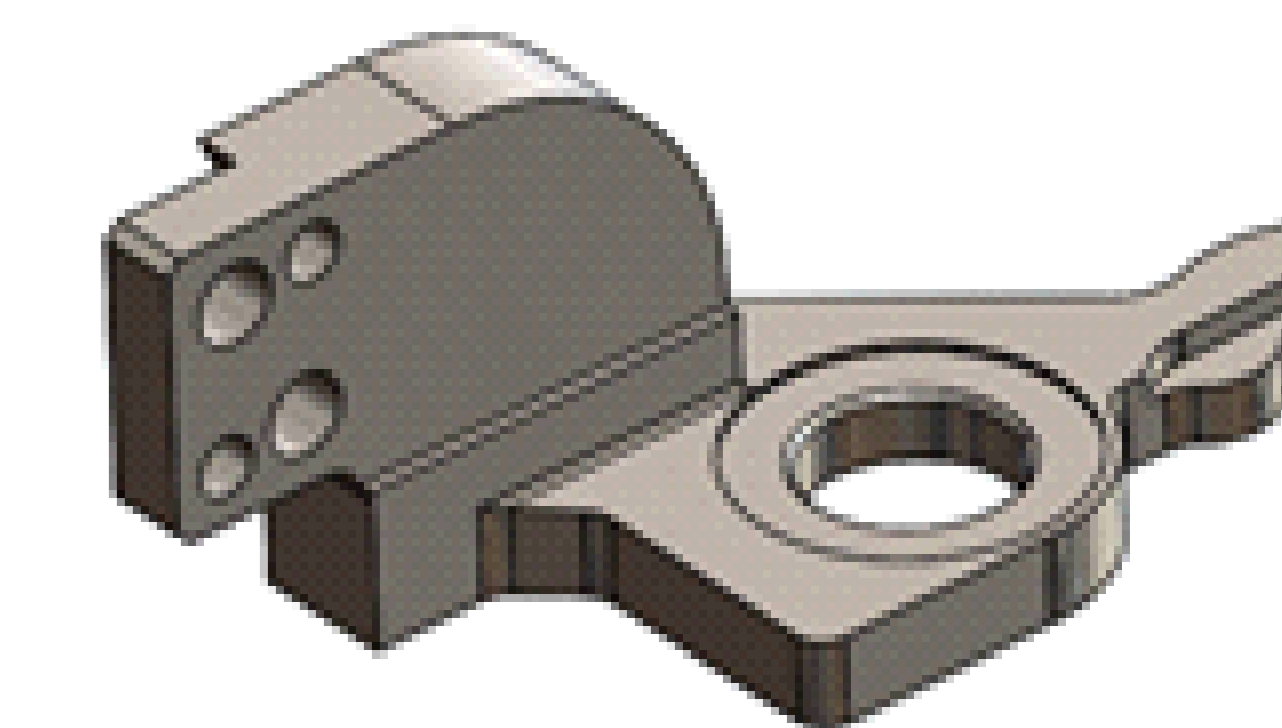
HOODING CLAMP MOVABLE



1. Capping support
UMS-04307714102



2. Axial crown
XTM-1220-015M
UMS-04287283501



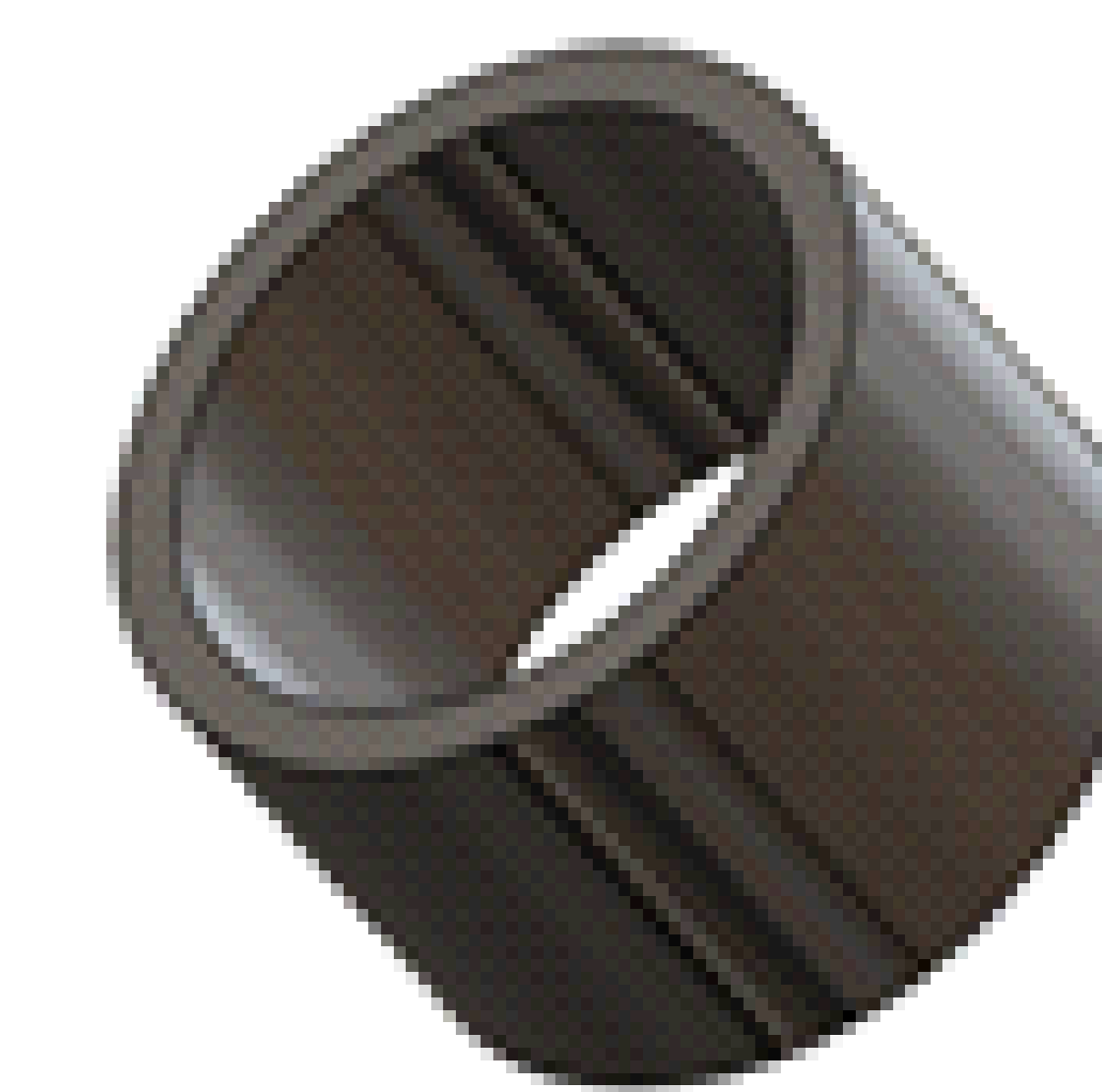
3. Jaw DX
UMS-04307714902



4. Jaw SX
UMS-04307715102



5. Self-lubricating socket
XSM-1214-05M
BIGLIDEGSM121405



6. Socket
UMS-04307715901



7. Plate
UMS-04307715301



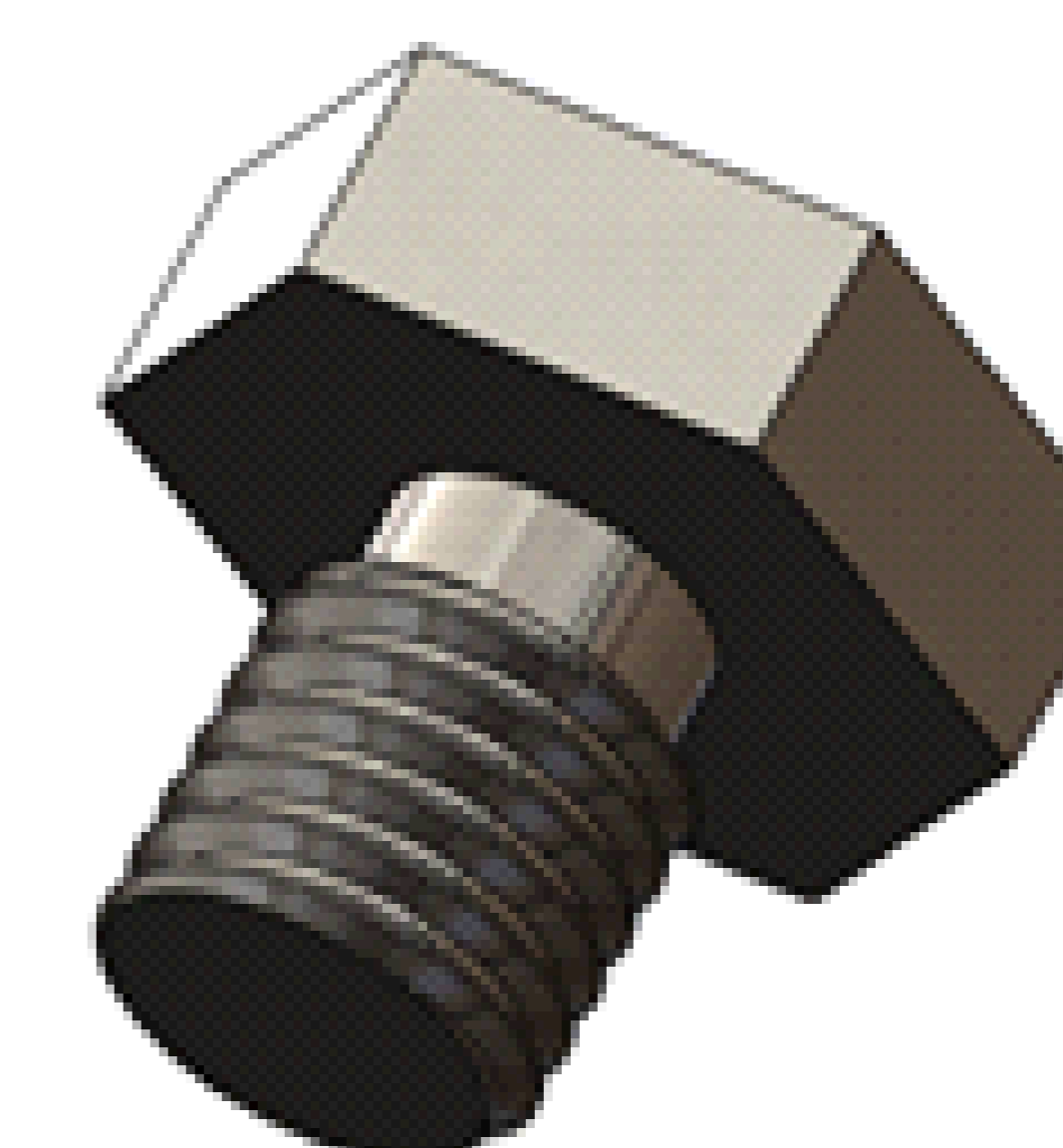
8. Spring ressort
UMS-04300273402



9. Compression ressort
UMS-04300272702

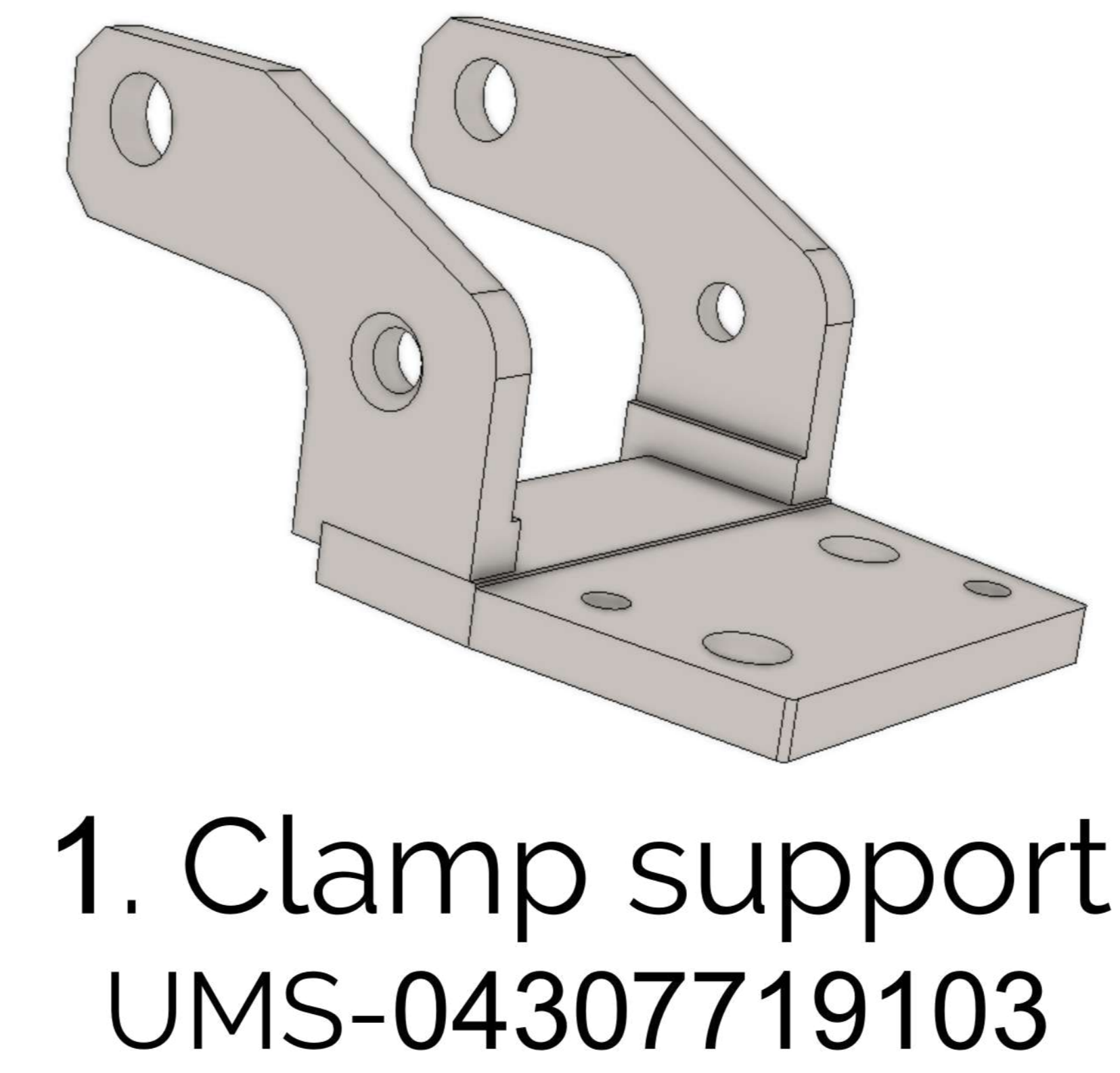
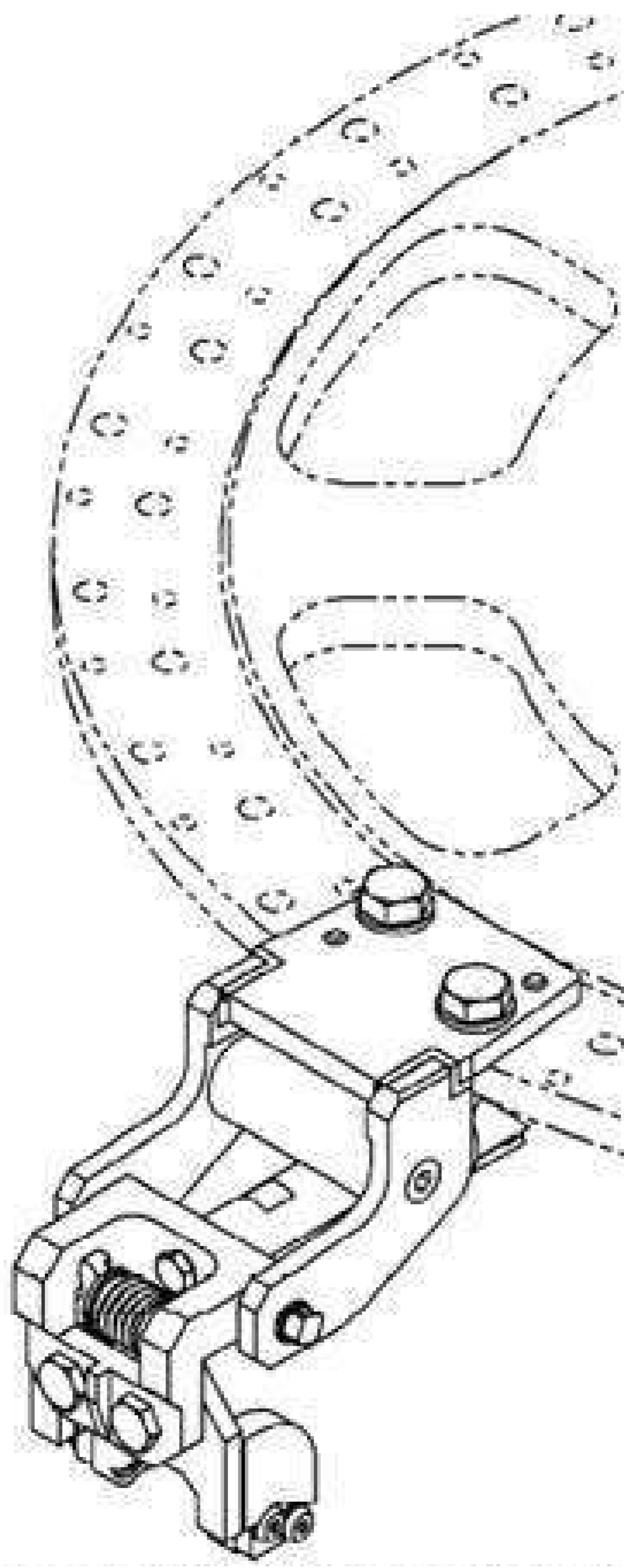
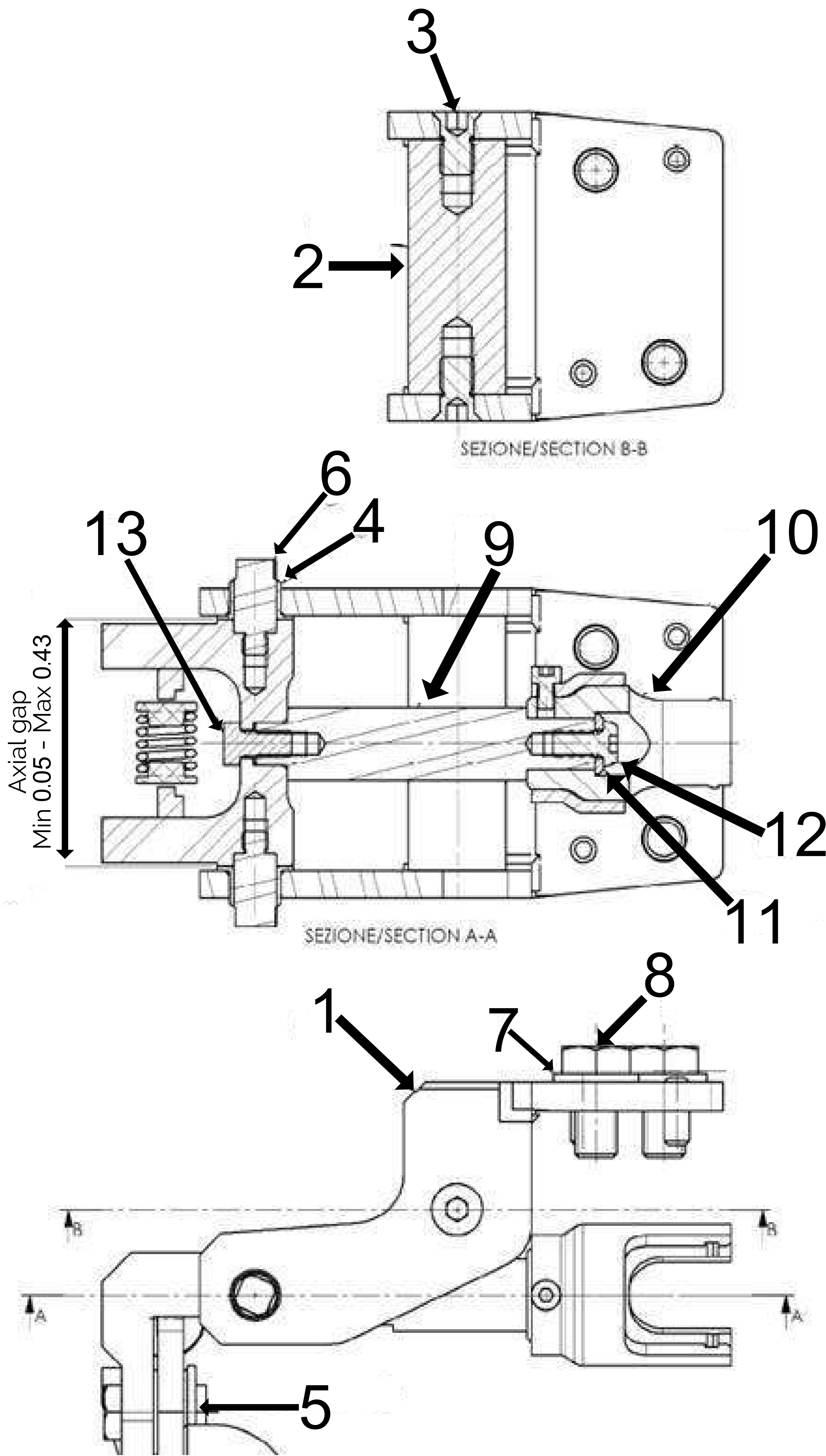


10. Axis lock
UMS-04307715401

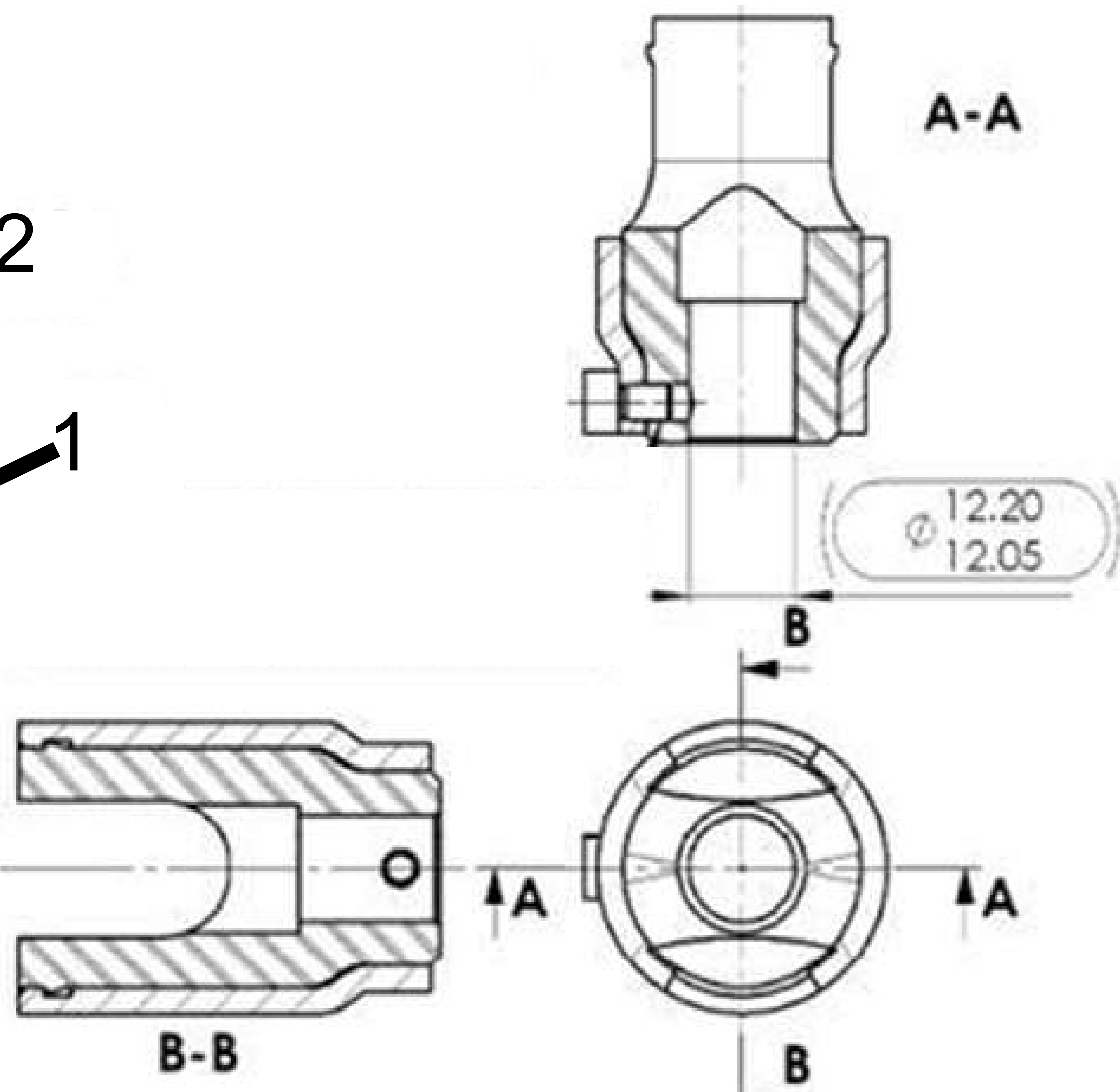
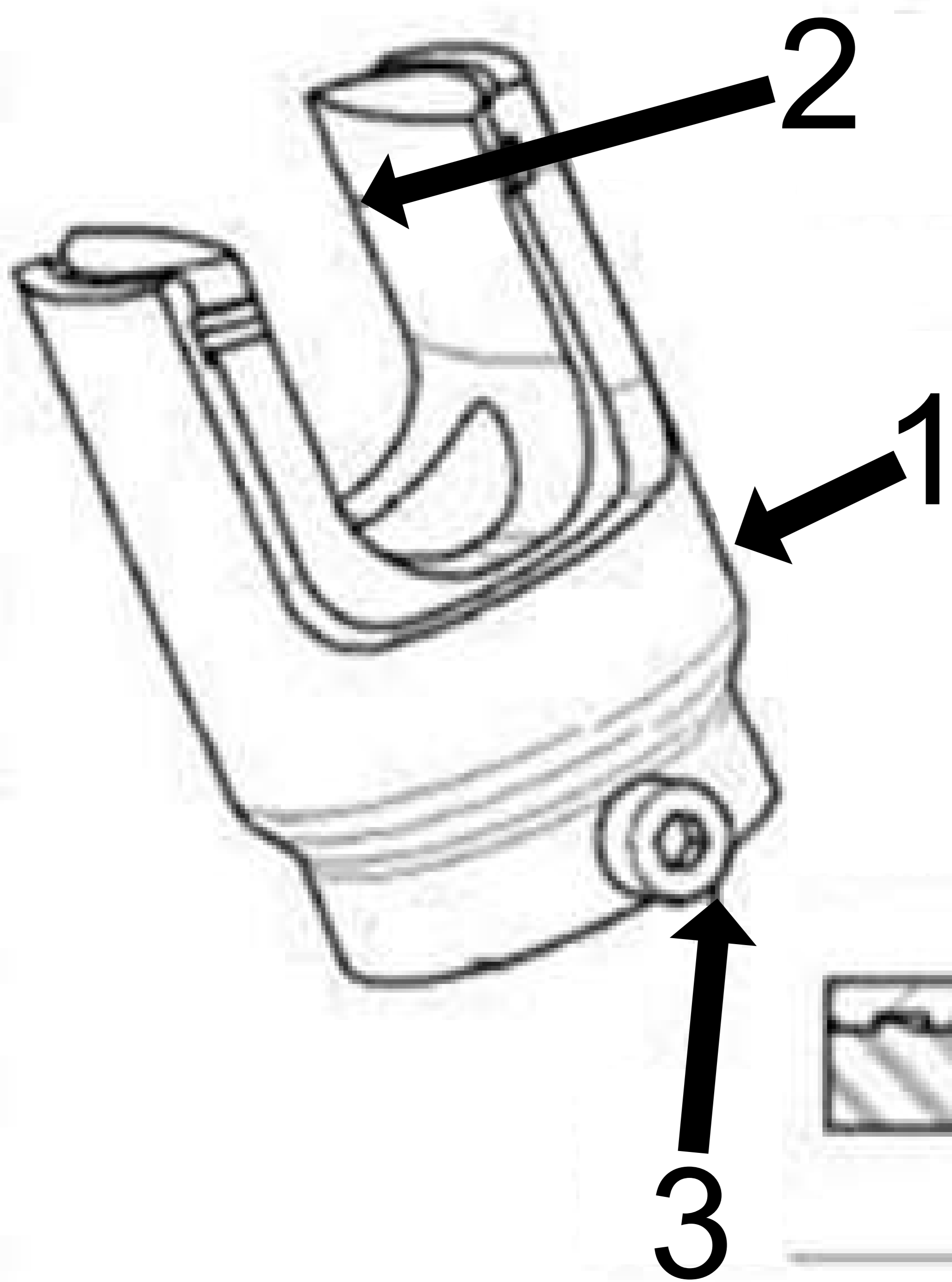


11. Special screw M7
UMS-04307715501

HOODING CLAMP ASSEMBLY



HOT FORK SET



1. Fork plate
UMS-04285594201



2. Fork
UMS-04302495502



3. Screw CHC ISO4762-M04X006-A4-70
ST316SCHM0406

CONTACT INFORMATION

Hubert Pelletier
Business Development
Associate
+1 514-349-2493

Amir Bittar
Vice President Sales
Market Development Specialist
+1 514-962-9052

Robert Saba
Vice President Operations
Commercial Representative
+ 1 514-608-2297

sales@umallette.com

www.um-inc.com



Our partners



Covirep Sa

